

For regions with exceptionally cold winter conditions we offer **Low Temperature (LT) types** for our ZVA nozzles. Since March 2014 we use newly developed components which are **rated for use at ambient temperatures down to -55° C** and media temperatures down to -40° C.

**NEW** Since November 2019, the LT-Types of EA 375 swivels and SSB 25 Safety Breaks are also supplied with the new seals.

The new, red coloured Polyurethane LT compound ensures excellent sealing performance under all conditions. Suitable for diesel and gasoline, standard or advanced fuel types. It also provides a superb resistance against mechanical wear.

### LT - Types :

- Nozzles
  - ZVA Slimline 2LT
  - ZVA Slimline 2 GR LT
  - ZVA 25 LT
  - ZVA 32 LT (with fixed hose inlet only)
- Swivels
  - EA 075 LT / EA 075 ERS LT
  - NEW** EA 375 LT / EA 375 AF LT
- Safety Breaks
  - SSB 16 LT / SSB 16 ERS LT
  - NEW** SSB 25 LT

Please note: All mentioned parts are factory marked with 'LT'. Old 'FS' types with fluorosilicone seals are no longer supplied.

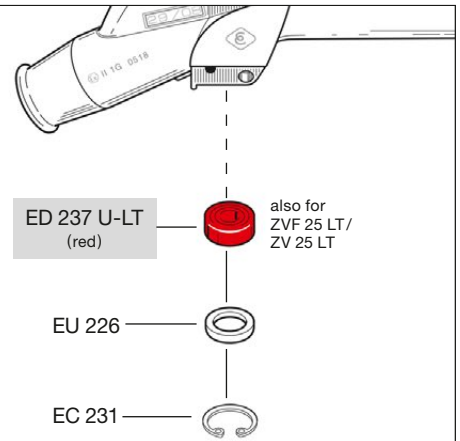
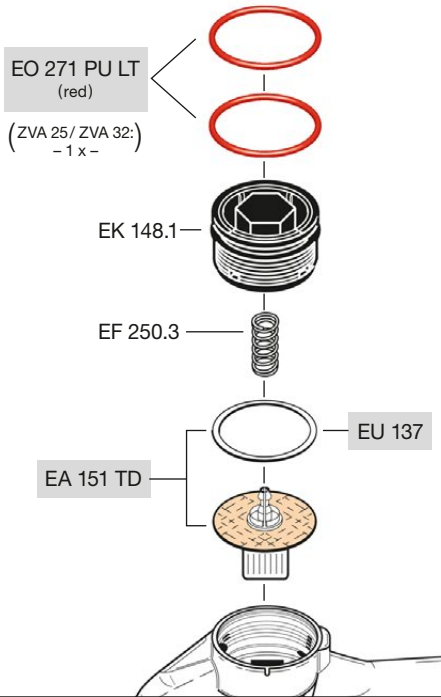
### LT Spare Parts :

- EO 271 PU LT O-Ring for vacuum cap
- EA 151 TD diaphragm assembly of PTFE, including EU 137 spacer washer
- ED 237 U-LT seal for lever
- ED 079 PU LT lip seal for EA 075 LT and SSB 16 LT
- NEW** • ED 077 PU LT lip seal for EA 075 ERS LT and SSB 16 ERS LT
- NEW** • ED 179 PU LT lip seal for EA 375 LT, EA 375 AF LT and SSB 25 LT

Existing ZVA nozzles, swivels and Safety Breaks can be retrofitted – Details see overleaf.



**ZVA Slimline 2 LT / ZVA Slimline 2 GR LT / ZVA 25 LT / ZVA 32 LT :**

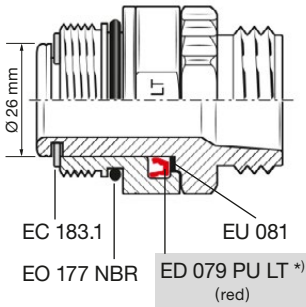


- EO 271 PU LT (red)  
O-rings for vacuum cap
- EA 151 TD  
Diaphragm assembly including EU 137 spacer washer
- ED 237 U-LT (red)  
Flat seal for lever

**LT Swivels:**

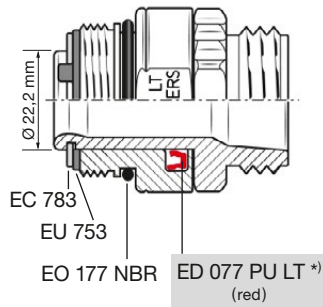
**EA 075 LT**

f. ZVA Slimline 2, ZVA Slimline, ZVA 200, ZV 25, ZVF 25



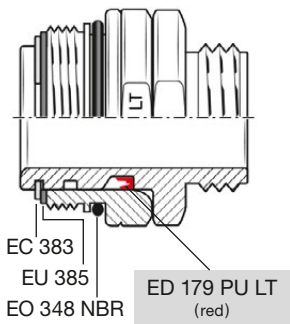
**EA 075 ERS LT**

- Special Type -  
f. ZVA Slimline 2



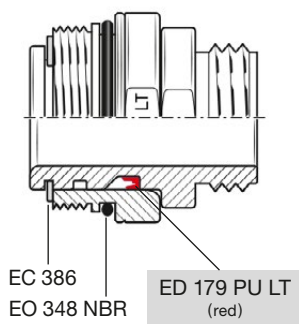
**EA 375 LT**

f. ZVA 25



**EA 375 AF LT**

f. ZVA 25 AF (Aircraft Refuelling)

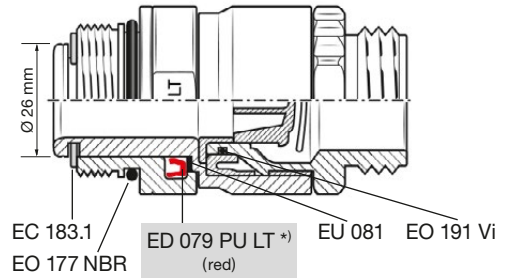


\* Use **without** spiral spring EF 080 / EF 078.

**LT Safety Swivel Breaks:**

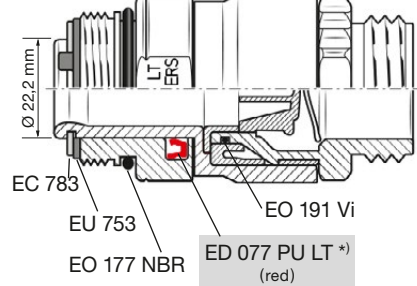
**SSB 16 LT**

f. ZVA Slimline 2, ZVA Slimline, ZVA 200, ZV 25, ZVF 25



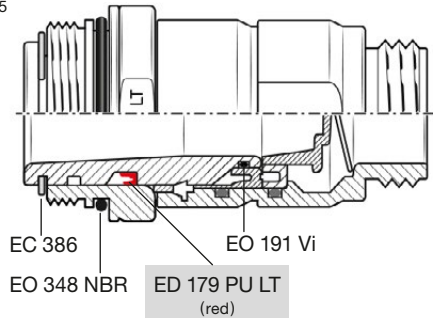
**SSB 16 ERS LT**

- Special Type -  
f. ZVA Slimline 2



**SSB 25 LT**

f. ZVA 25



**EA 075 / EA 375 / SSB 16 / SSB 25:**

**Additional Part Numbers for Hose Inlet**

G 1" AG / 1" BSP male	... LT
G 1" IG / 1" BSP female	... .1 LT
3/4" NPT IG / 3/4" NPT fem.	... .3 LT
G 3/4" IG / 3/4" BSP female	... .4 LT
1" NPT IG / 1" NPT female	... .5 LT
G 3/4" AG / 3/4" BSP male	... .7 LT