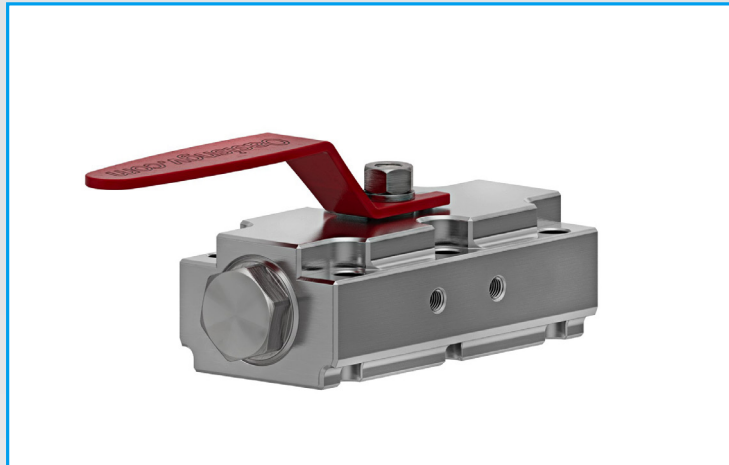




## 200 Series Manifold Valve - 1/2" & 3/4"

### Applications

Dispenser Manifolds, Priority Panels, Emergency Isolation. Suitable for CNG, Bio-Gas and Nitrogen



MV200 Series Manifold Valve

### Materials

Item	Description	Material
1	Valve Body	304 Stainless Steel
2	Valve Cap	304 Stainless Steel
3	Seat	Delrin
4	Ball	316 Stainless Steel
5	Seat retainer	17-4 PH H1150 Stainless Steel

Item	Description	Material
6	Gland & Thrust	Delrin
7	Stem	316 Stainless Steel
8	O-rings	Viton
9	O-ring Backup	Nitrile
10	Handle	304 Stainless Steel

### Product Information

Manifold face seal O-rings included with valve.

All products are manufactured under ISO 9001 accredited standards.

Oasis can create the manifold to your specifications. Talk to Oasis, Engineer 2 Engineer to craft a solution for you.

More product information available online at [oasisngv.com/](http://oasisngv.com/) resources.

Complies to PED 2014/68/EU.

### Features & Benefits

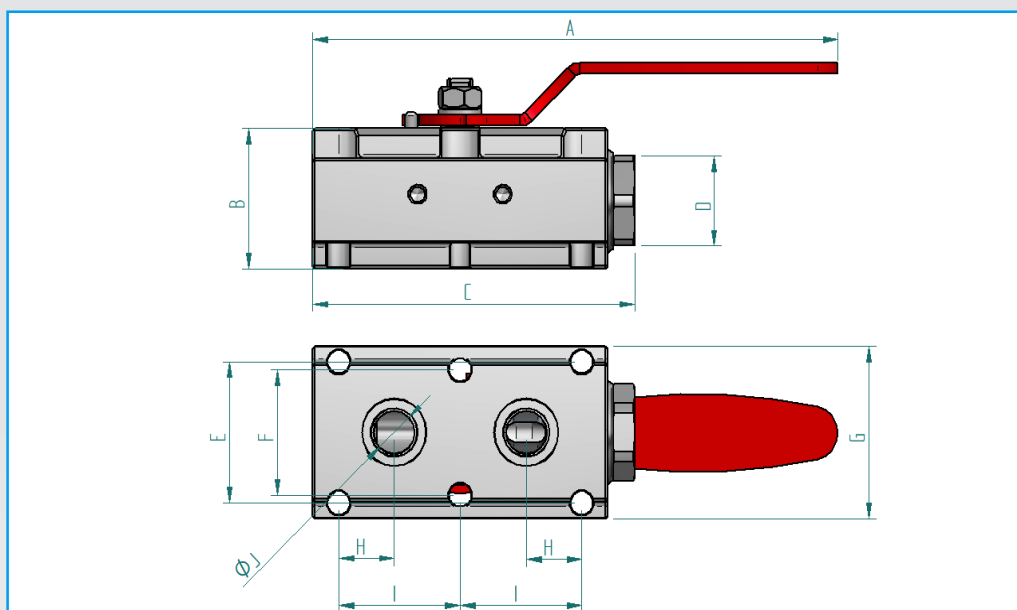
Bolt-on design for manifold applications where minimizing overall footprint and service down time is critical.

Service kits are easily installed and readily available.

Machined from certified bar stock to give dimensional consistency, ensuring complete sealing with the manifold - every time.



## 200 Series Manifold Valve - 1/2" & 3/4"



### Dimensions. Inch (mm)

Part Code	Size	A	B	C	D (AF)	E	F	G	H	I	Ø J
MV204	1/2"	7 (178.6)	1.54 (39)	4.71 (119.5)	0.94 (24)	1.73 (44)	1.57 (40)	2.5 (63.5)	0.708 (18)	1.693 (43)	0.5 (12.7)
MV206	3/4"	9.7 (246.4)	2.47 (62.8)	5.95 (151.2)	1.57 (40)	2.48 (63)	2.2 (56)	3 (77)	1.02 (26)	2.24 (57)	0.748 (19)

### Product Specification

Part Code	Mass lb (kg)	Min. Operating Pressure bar (psi) *	Max. Operating Pressure bar (psi) **	Min. Temp. °F (°C)	Max. Temp. °F (°C)	Cycles Before Rekit ^	Cv	Service Kit
MV204-4O6SDDW-1000	3.5 (1.6)	34.5 (500)	380 (5500)	-40 (-40)	185 (85)	100,000	3.5	MV204-SK6SDDW
MV206-4O6SDDW-1000	9.9 (4.5)	34.5 (500)	380 (5500)	-40 (-40)	185 (85)	100,000	7	MV206-SK6SDDW

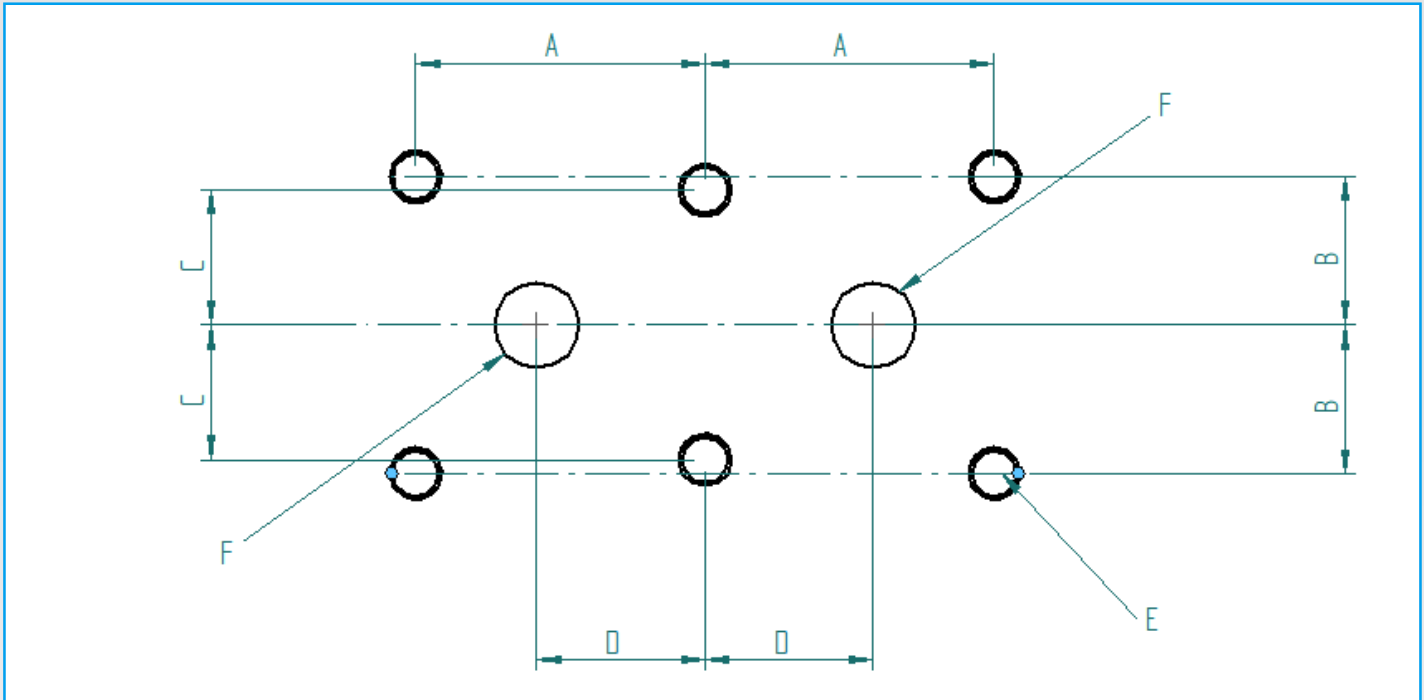
\* Minimum system pressure the product will hold constant bubble tight seal.

\*\* Maximum pressure at which the product can constantly operate at.

^ It is recommended that the manifold valve is re-kitted on or before the maximum number of allowable cycles.



# 200 Series Manifold Valve - 1/2" & 3/4"



MV200 Series manifold mating surface recommended dimensions

## Dimensions. (mm)

Part Code	A	B	C	D	E (Thread - 6x bolt holes)	F (Ports)	G (Surface finish)*
MV204	43.05	22.05	20.05	25.05	M8 - min 35 Deep	12.7 (1/2")	0.8 Ra Max
	42.95	21.95	19.95	24.95			
MV206	57.05	31.55	28.05	31.05	M10 - min 35 Deep	19 (3/4")	
	56.95	31.45	27.95	30.95			

\* This surface finish on the sealing face is required for optimum sealing.

The dimensions given are dimensions of the manifold mounting surface, for use with Oasis MV200 Series Manifold Valves. Manifold design, including strength considerations and adherence to relevant standards, as well as testing and certification of the manifold, are the responsibility of the manifold designer.

## Dimensions. (mm)

Part Code	Recommended bolt class	Recommended bolt size
MV204	Class 12.9	M8 x 60mm
MV206	Class 12.9	M10 x 80mm